

40007 40mm平脚限温阀芯

40mm flat base with hot water limiter cartridge

阀芯技术参数

Technical Characteristics of The Cartridge

开启角度：23° 旋转角度：110° 最高使用温度：90°C
Max On/Off angel : 23° Max Cold/Hot turning angel : 110° Max temperature : 90°C

建议锁紧力矩：10~15Nm 冷热操作力矩：0.2~0.4Nm (任何水温)

Tightness of hex nut torque : 10~15Nm Cold / Hot operation torque : 0.2~0.4Nm (Under any water temp)

开关操作力矩：0.15~0.35Nm (任何水温)

On/Off operation torque : 0.15~0.35Nm (Under any water temp)

阀芯破坏强度：≥15Nm

Broken torque : ≥15Nm

爆破压：≥35bar

Burst pressure : ≥35bar

3bar水压下流量值：≥29L/min

Flow rate at 3bar : ≥29L/min

寿命测试：EN817:2008 280,000cycles
ASME A 112.18.1-2008 2,000,000cycles

Life cycle test : EN817:2008 280,000cycles
ASME A 112.18.1-2008 2,000,000cycles



认证

Certification

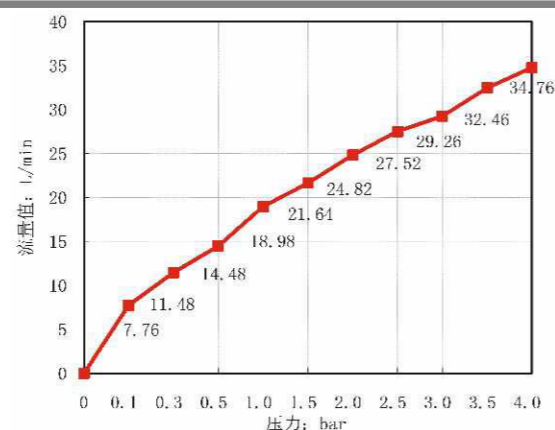


Certified to NSF/ANSI 61-G

DVGW/KTW



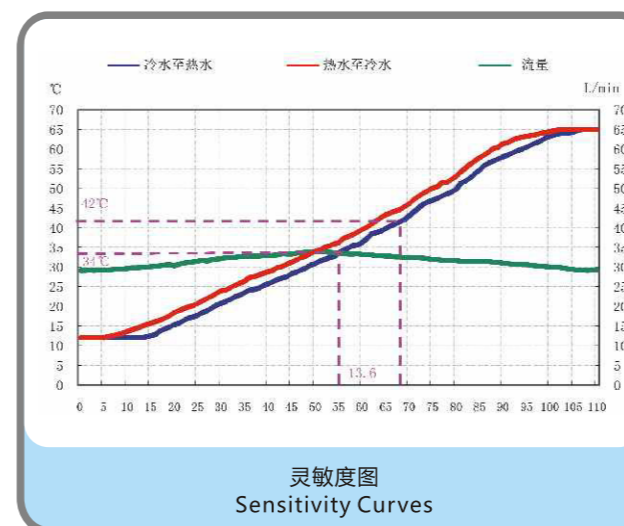
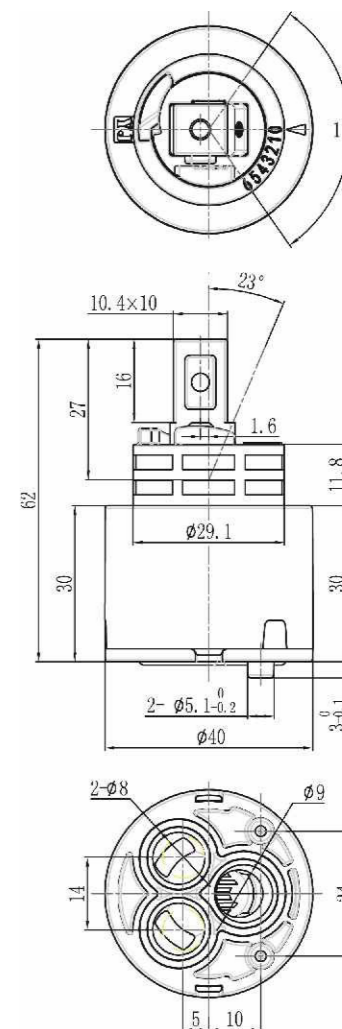
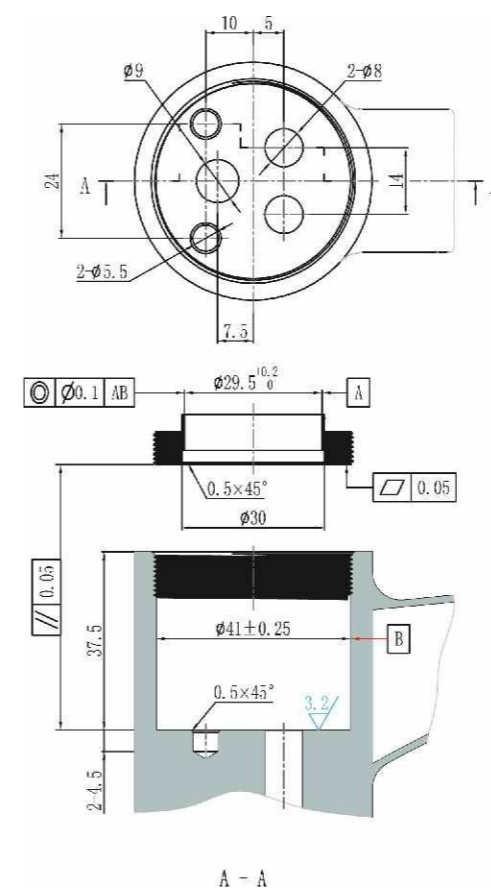
ACS



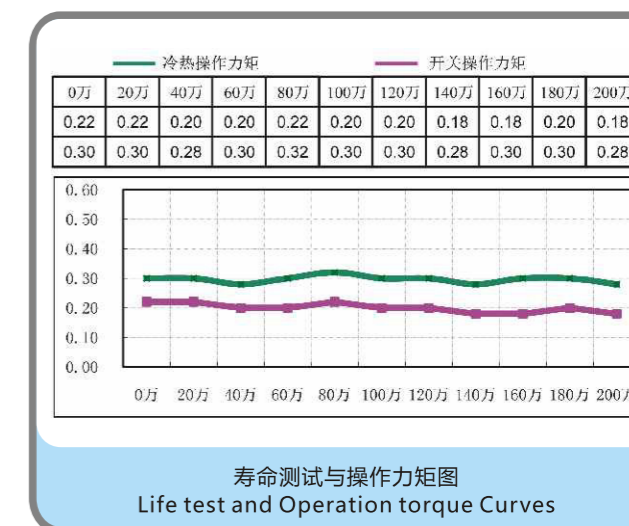
流量图
Flow Rate Curves

安装尺寸图

Drawings of Mounting Dimensions



灵敏度图
Sensitivity Curves



寿命测试与操作力矩图
Life test and Operation torque Curves