

# 35006 35mm高脚无声两段阀芯

## 35mm high base two phased without click sound cartridge

### 阀芯技术参数

#### Technical Characteristics of The Cartridge

开启角度：12° / 23°      旋转角度：90°      最高使用温度：90°C  
Max On/Off angel : 12° / 23°      Max Cold/Hot turning angel : 90°      Max temperature : 90°C

建议锁紧力矩：10~15Nm      冷热操作力矩：0.2~0.4Nm (任何水温)

Tightness of hex nut torque : 10~15Nm      Cold / Hot operation torque : 0.2~0.4Nm (Under any water temp)

开关操作力矩：0.5~0.7Nm (任何水温)

On/Off operation torque : 0.5~0.7Nm (Under any water temp)

阀芯破坏强度：≥12Nm

Broken torque : ≥12Nm

爆破压：≥35bar

Burst pressure : ≥35bar

3bar水压下流量值：12°≥12L/min 23°≥24L/min

Flow rate at 3bar : 12°≥12L/min 23°≥24L/min

寿命测试：EN817:2008 280,000cycles

ASME A 112.18.1-2008 2,000,000cycles

Life cycle test : EN817:2008 280,000cycles

ASME A 112.18.1-2008 2,000,000cycles



### 认证

#### Certification

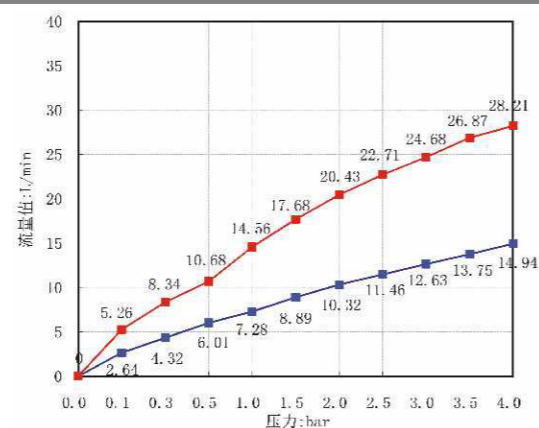


Certified to NSF/ANSI 61-G

DVGW/KTW



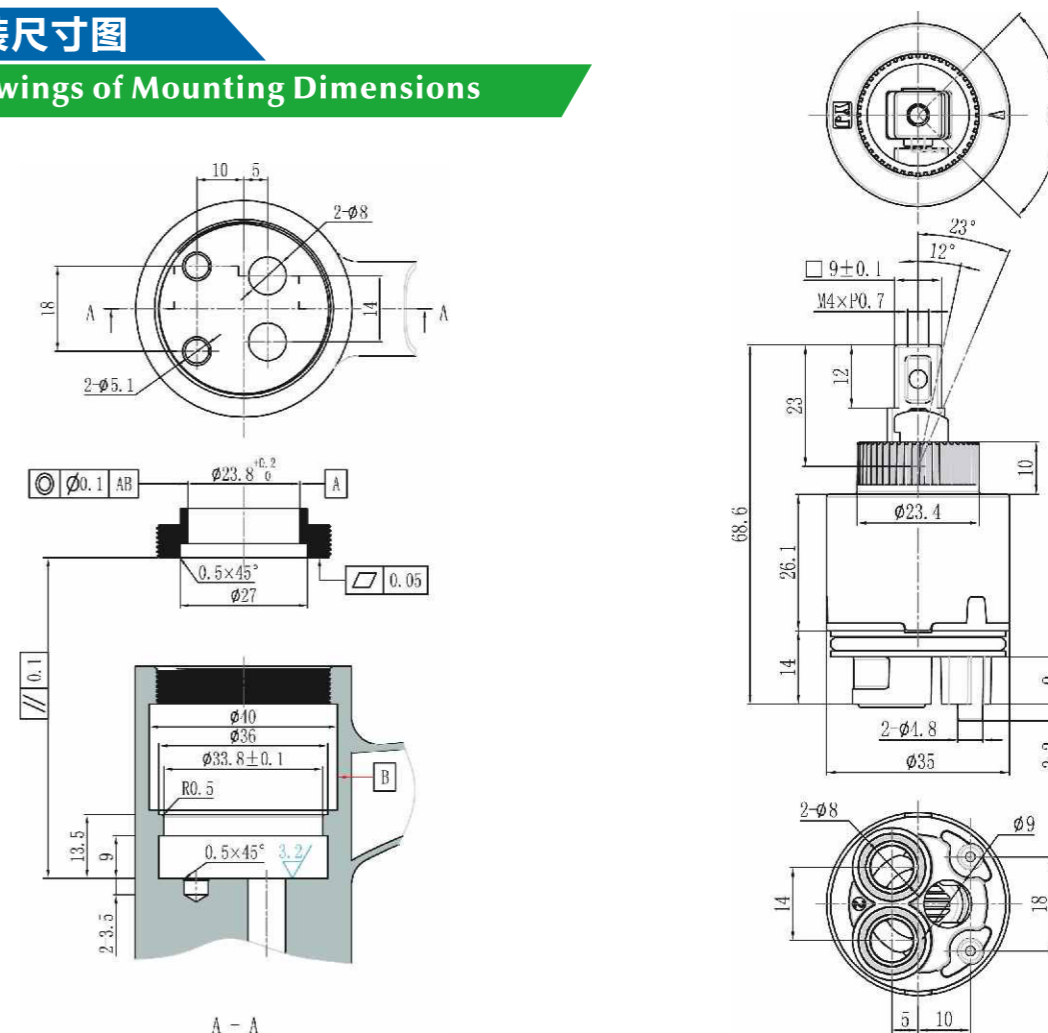
ACS



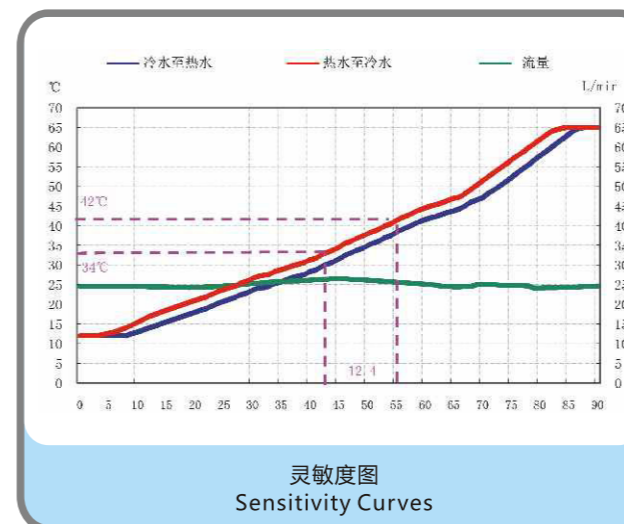
流量图  
Flow Rate Curves

### 安装尺寸图

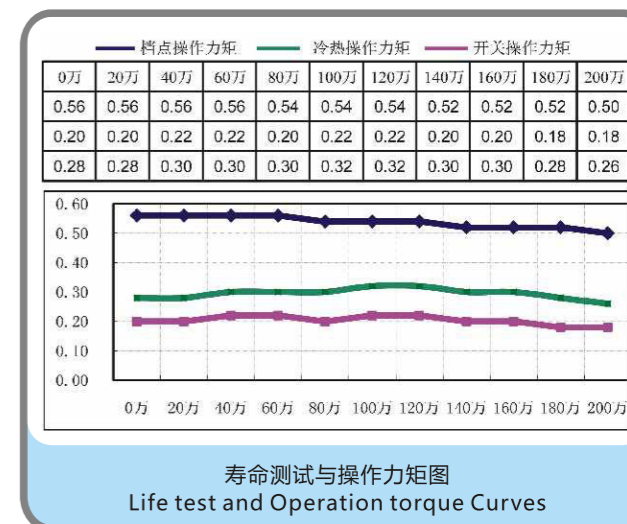
#### Drawings of Mounting Dimensions



A - A



灵敏度图  
Sensitivity Curves



寿命测试与操作力矩图  
Life test and Operation torque Curves